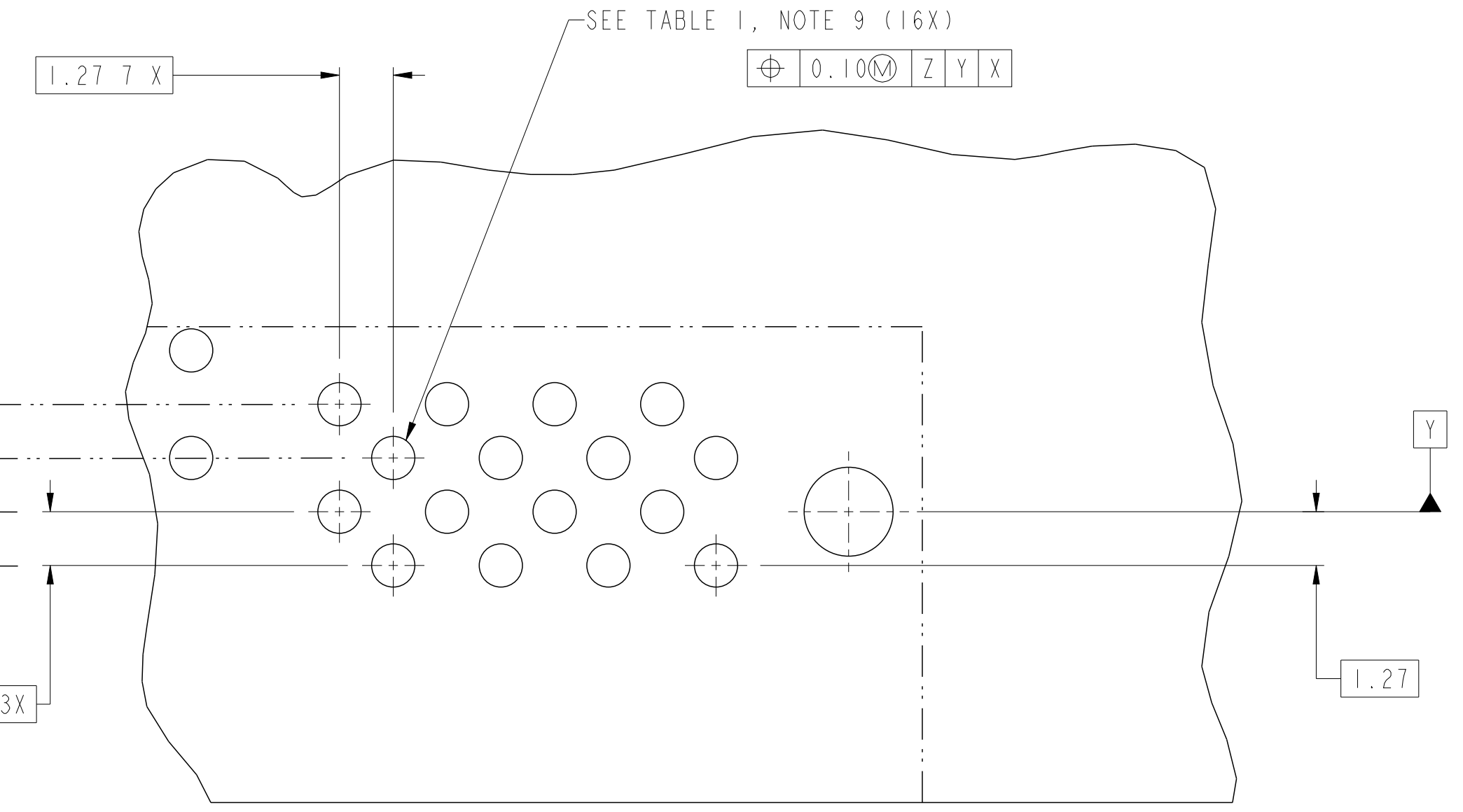
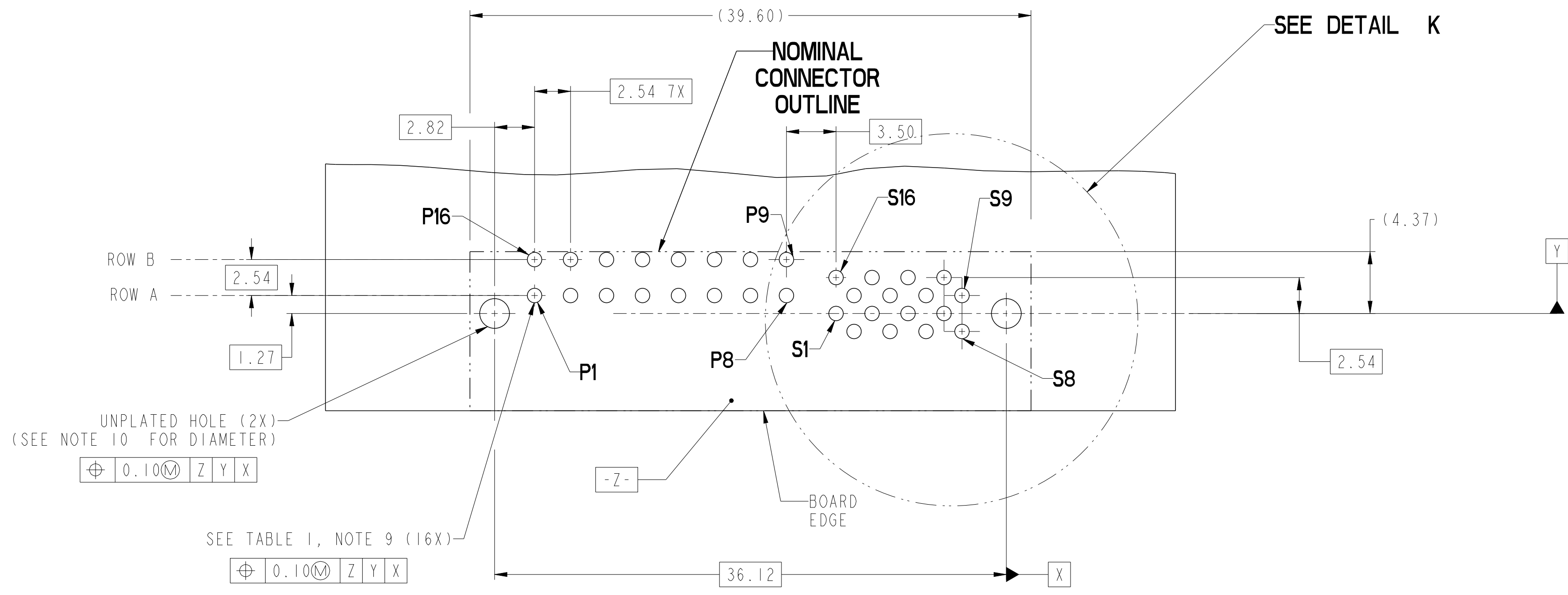


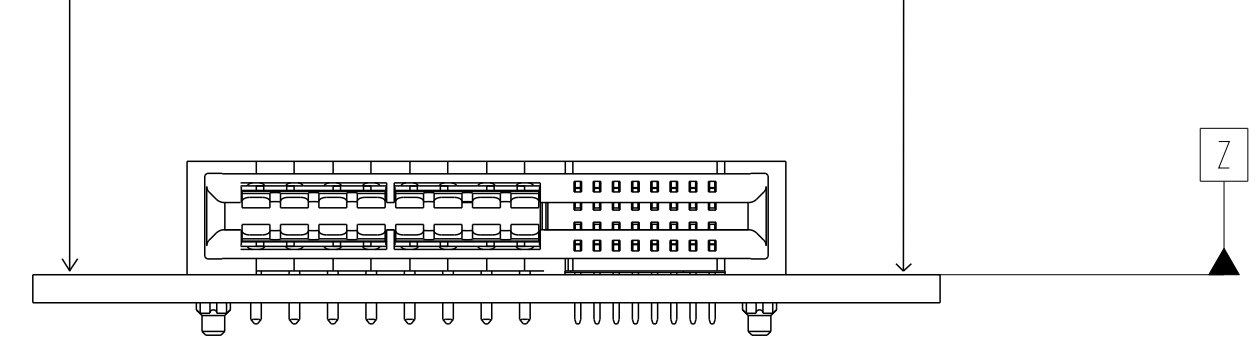
rev	ecn no	dr	date	spec ref	-	dr	Wei-Long Zhang	2011/03/28	projection	MM	size	A2	scale	4:1												
A	---	HZ	2011-06-30	tolerance std	TOLERANCES UNLESS OTHERWISE SPECIFIED	eng	Wei-Long Zhang	2011/09/16			ecn no	ELX-DG-006035-1	rel level	Released												
B	ELX-DG-006035-1	HZ	2011-09-16			chr	Jon Qin	2011/09/19																		
				surface	<table border="1"> <tr> <td>linear</td> <td>0.X</td> <td>±0.30</td> </tr> <tr> <td></td> <td>0.XX</td> <td>±0.10</td> </tr> <tr> <td></td> <td>0.XXX</td> <td>±0.05</td> </tr> <tr> <td>angular</td> <td>0°</td> <td>±2°</td> </tr> </table>	linear	0.X	±0.30		0.XX	±0.10		0.XXX	±0.05	angular	0°	±2°	appr	Pei-Ming Zheng	2011/09/19	product family	-	rel level	-	rev	B
linear	0.X	±0.30																								
	0.XX	±0.10																								
	0.XXX	±0.05																								
angular	0°	±2°																								
						www.fci.com	FCj		TITLE RIGHT ANGLE 16P16S HIGH POWER CARD EDGE		dwg no 10117877	Product - Customer Drw sheet 1 of 4														

Copyright FCI. FCI



DETAIL K
SCALE 8:1

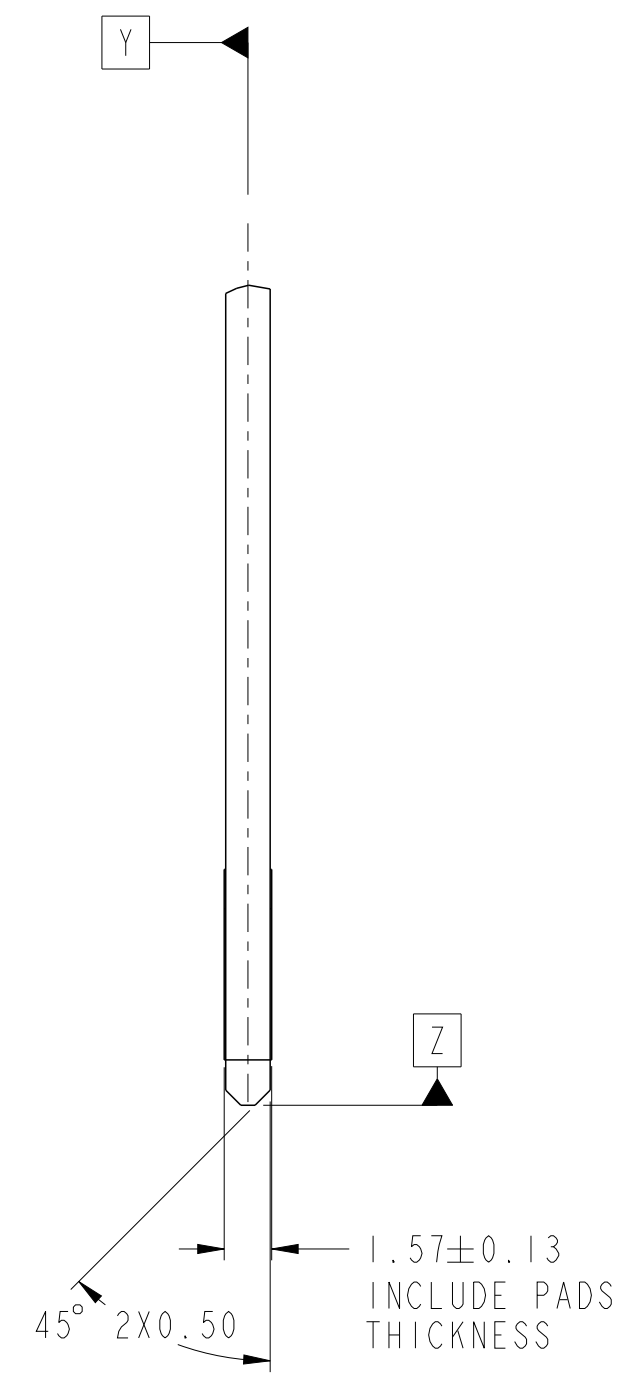
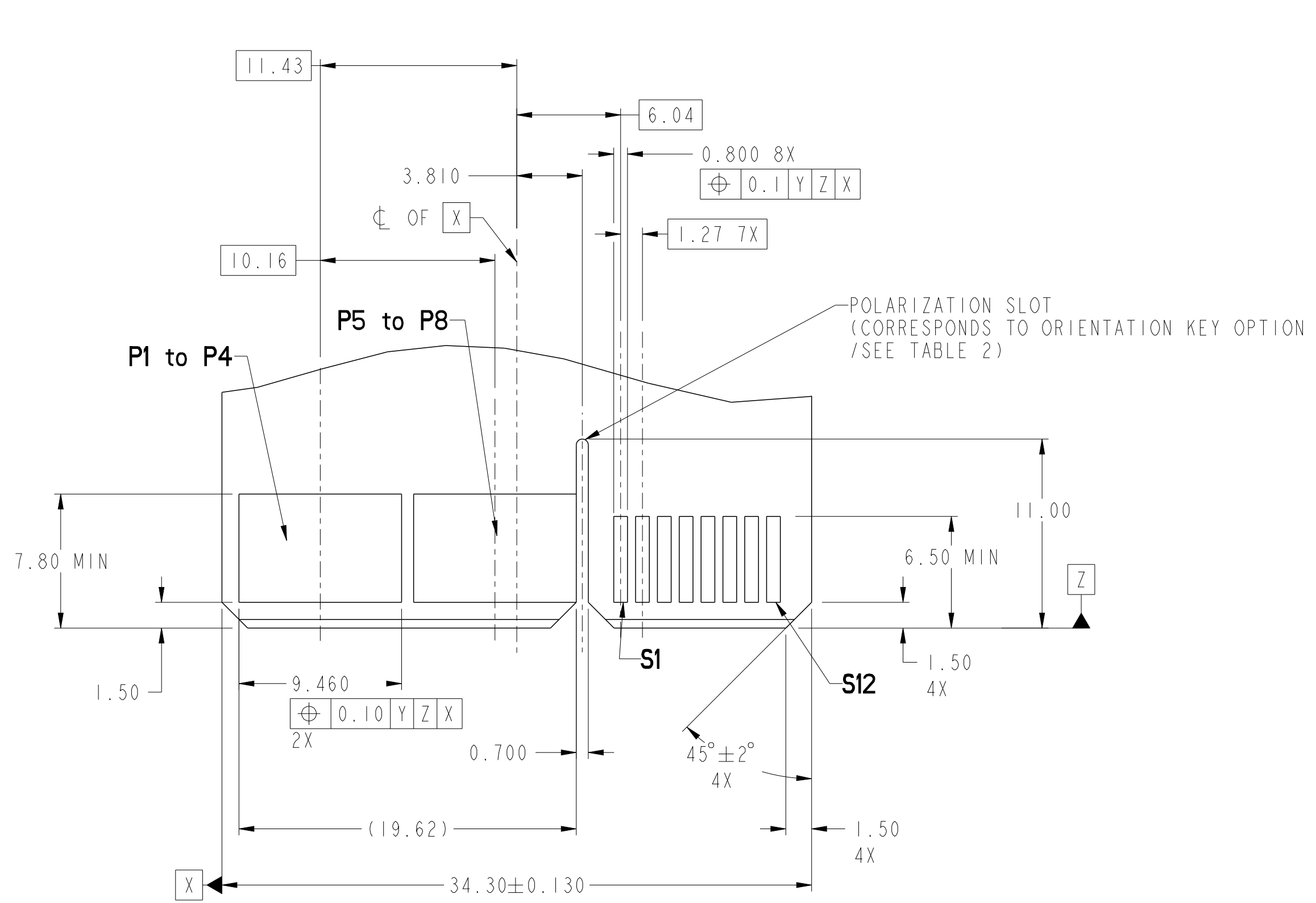
RECOMMENDED PCB LAYOUT
VIEWED FROM CONNECTOR SIDE



dr	Wei-Long Zhang	2011/03/28	projection	MM	size	A2	scale	4:1
eng	Wei-Long Zhang	2011/09/16			ecn no	ELX-DG-006035-1	rel level	Released
chr	Jon Qin	2011/09/19						
appr	Pai-Ming Zheng	2011/09/19	product family	-	rel level	-	rel level	Released
		title RIGHT ANGLE 16P16S HIGH POWER CARD EDGE			dwg no 10117877		rev B	
www.fci.com		cat. no.		-		Product - Customer Drw		sheet 2 of 4

Copyright FCI.

CONTACT TYPE	TOP LAYER DESCRIPTION	TABLE 1 (HPCE / SOLDER TAILS) PLATED THROUGH-HOLE REQUIREMENTS				
		DRILLED HOLE DIAMETER	COPPER THICKNESS	TIN-LEAD THICKNESS	TIN THICKNESS	FINISHED HOLE DIAMETER
POWER & SIGNAL	TIN-LEAD	1.10-1.16 (1.15 DRILL)	0.025 - 0.050	0.005 - 0.015	--	0.94 - 1.10
	IMMERSION TIN	1.10-1.16 (1.15 DRILL)	0.025 - 0.050	--	0.9 - 1.5um	0.94 - 1.10
	COPPER (SEE NOTE 8)	1.10-1.16 (1.15 DRILL)	0.025 - 0.050	--	--	0.94 - 1.10

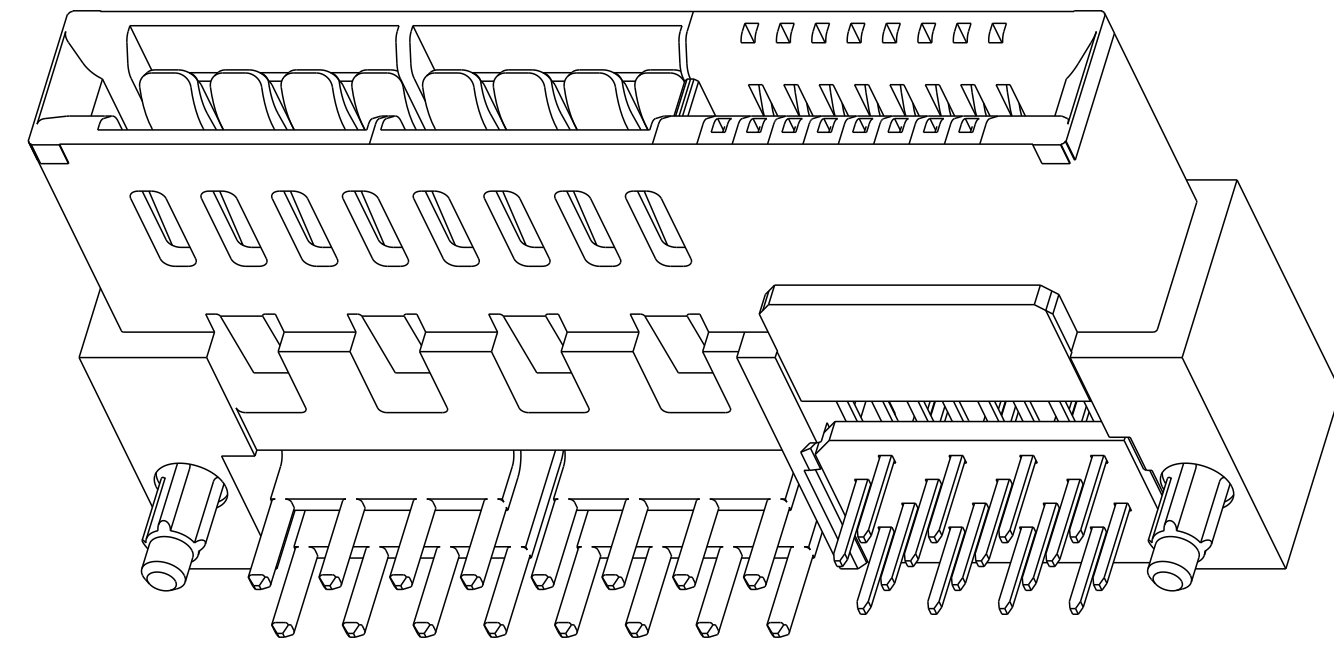


RECOMMENDED MATING BOARD FOOTPRINT

dr	Wei-Long Zhang	2011/03/28	projection	MM	size	A2	scale	4:1
eng	Wei-Long Zhang	2011/09/16			ecn no	ELX-DG-006035-1	rel level	Released
chr	Jon Qin	2011/09/19						
appr	Pei-Ming Zheng	2011/09/19	product family	-	rel level	-	-	-
			title RIGHT ANGLE 16P16S HIGH POWER CARD EDGE			dwg no 10117877		rev B
www.fci.com			cat. no.			Product - Customer Drw		
						sheet 3 of 4		

Copyright FCI. FCI

HPCE PART NUMBER (TABLE 2)					
10117877	TAIL TYPE	HOLD-DOWN OPTION	ORIENTATION KEY	DIM "A" TYPICAL TAIL LENGTH	
10117877-001LF	SOLDER TAIL	NO	YES	3.25±0.25	
10117877-002LF			NO		
10117877-003LF		YES	YES		
10117877-004LF			NO		
10117877-005LF		NO	YES		4.05±0.25
10117877-006LF			NO		
10117877-007LF		YES	YES		
10117877-008LF			NO		
10117877-009LF		NO	YES	4.85±0.25	
10117877-010LF			NO		
10117877-011LF		YES	YES		
10117877-012LF			NO		



NOTES:

1. CONNECTOR MATERIALS:
 HOUSING: HIGH TEMPERATURE THERMAL PLASTIC, BLACK
 UL 94V-0 COMPLIANT
 CONTACTS: HIGH PERFORMANCE COPPER ALLOY.
2. CONTACT FINISH REF. GS-12-604 SECTION 5.2.
3. PRODUCT SPECIFICATION: GS-12-604.
4. APPLICATION SPECIFICATION: GS-20-128).
5. PRODUCT MARKING (FCI - PART NUMBER & DATE CODE) ON HOUSING IN AREA SHOWN.
6. PACKAGING MEETS FCI SPECIFICATION GS-14-937.
7. HOUSING COMPONENT WILL WITHSTAND EXPOSURE TO 260°C PEAK TEMPERATURE FOR 60 SECONDS IN A CONVECTION, INFRA-RED, OR VAPOR PHASE REFLOW OVEN.
8. COPPER PLATING THICKNESS IN CENTER OF VIA-HOLE CAN BE NO MORE THAN 0.003 LESS THAN OTHER AREAS.
9. ALL HOLE SIZES ARE FINISHED HOLE SIZES.
10. MOUNTING HOLES ARE UNPLATED
 ∅ 2.10 +/- 0.1 FOR SOLDER TAILS

dr	Wei-Long Zhang	2011/03/28	projection MM ←→	size	A2	scale	4:1	
eng	Wei-Long Zhang	2011/09/16		ecn no	ELX-DG-006035-1			
chr	Jon Qin	2011/09/19		product family	-	rel level	Released	
appr	Pei-Ming Zheng	2011/09/19						
www.fci.com		title		RIGHT ANGLE 16P16S HIGH POWER CARD EDGE		rev		
		cat. no.		-		Product - Customer Drw		
		dwg no		10117877		sheet 4 of 4		
						B		