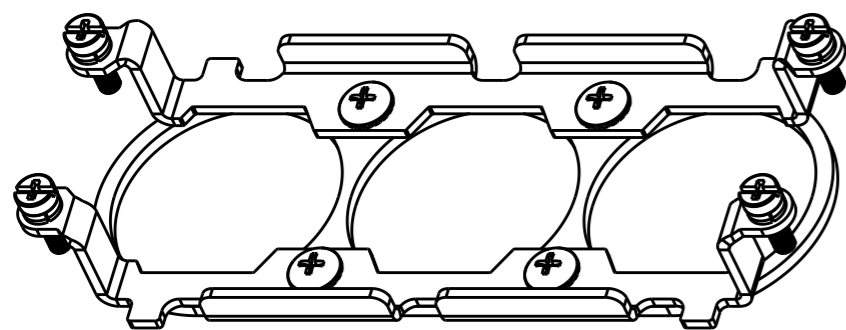
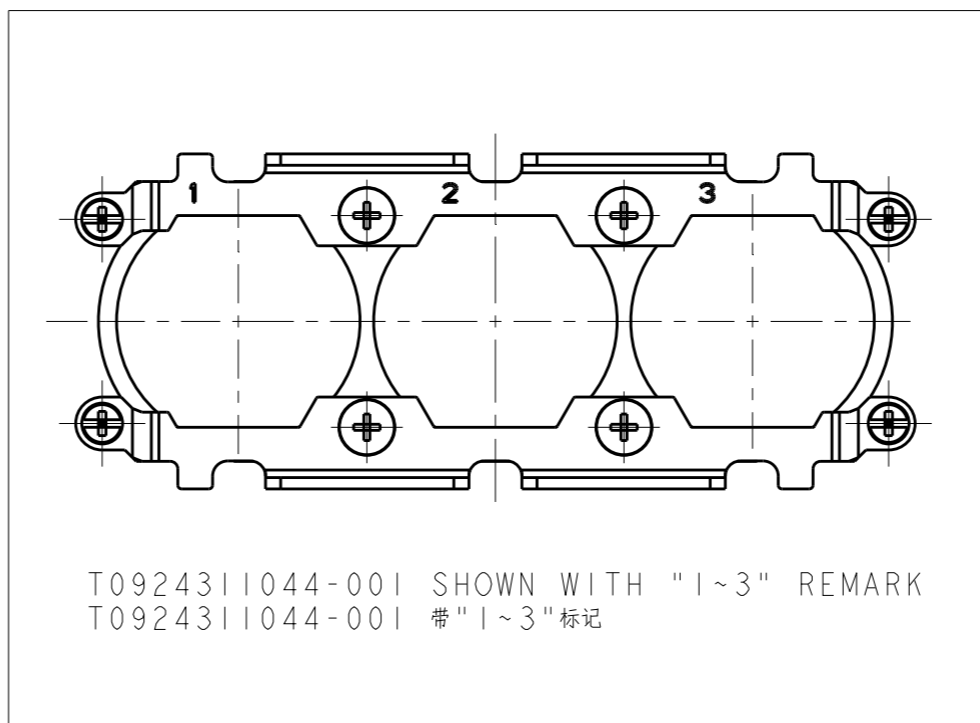
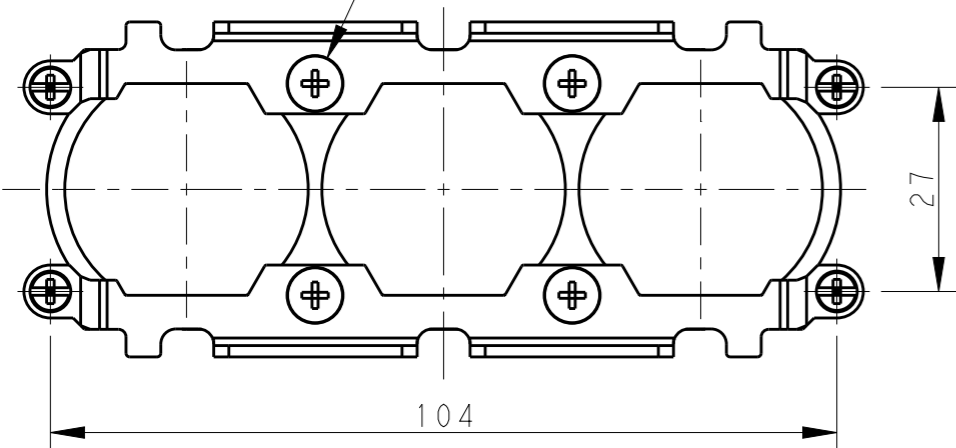


REVISIONS

P	LTR	DESCRIPTION	DATE	DWN	APVD
	A	INITIAL	13MAR2016	RL	CW
	A1	ECR-17-005890	27APR2017	RL	CW



4X M4 SCREW
RECOMMENDED TIGHTENING
TORQUE 1.5Nm
4X M4 螺丝, 推荐扭力矩为 1.5Nm



T0924311044-001 SHOWN WITH "1~3" REMARK
T0924311044-001 带"1~3"标记

NOTES:

1. TECHNICAL CHARACTERISTICS:
FRAME MATERIAL: STAINLESS STEEL
NUMBER OF MODULES: 3

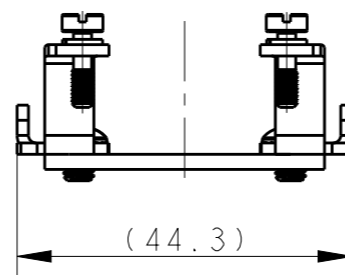
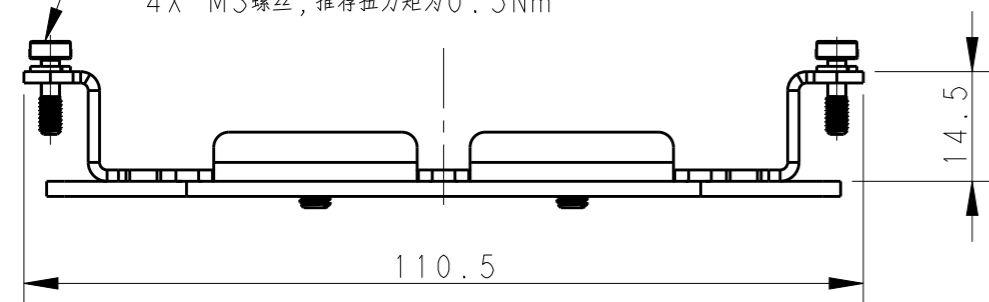
2. FOR T0924311044-000:
STICKER TO MARK THE CONTACTS
AND PE CONTACTS ON THE FRAME
Acc. to DIN EN61984, 6.2.3

注释:

1. 技术参数:
框架材料: 不锈钢
模块数量: 3

2. 对于T0924311044-000:
根据DIN EN61984, 6.2.3,
用不干胶的标签在框架上做端子和接地端子的位置标识

4X M3 SCREW
RECOMMENDED TIGHTENING
TORQUE 0.5Nm
4X M3螺丝, 推荐扭力矩为0.5Nm



T0924311044-000	H24BPR-3P-350-FRAME H24BPR-3P-350 框架
T0924311044-001	H24BPR-3P-350-FRAME, WITH REMARK H24BPR-3P-350 框架, 带标记
PART NUMBER 料号	PART DESCRIPTION 描述

THIS DRAWING IS A CONTROLLED DOCUMENT.

DIMENSIONS:		TOLERANCES UNLESS OTHERWISE SPECIFIED:	
mm		0 PLC	±-
		1 PLC	±-
		2 PLC	±-
		3 PLC	±-
		4 PLC	±-
MATERIAL		ANGLES	±-
		FINISH	±-

DWN	ROY LIU	13MAR2016
CHK	KYLE ZENG	13MAR2016
APVD	CHRIS WANG	13MAR2016
PRODUCT SPEC	-	
APPLICATION SPEC	-	
WEIGHT	-	
CUSTOMER DRAWING		

				TE Connectivity	
				NAME H24BPR-3P-350-FRAME	
SIZE	CAGE CODE	DRAWING NO	RESTRICTED TO		
A3	00779	©-T0924311044000	-		
SCALE			SHEET	OF	REV
1:1			1	1	A1