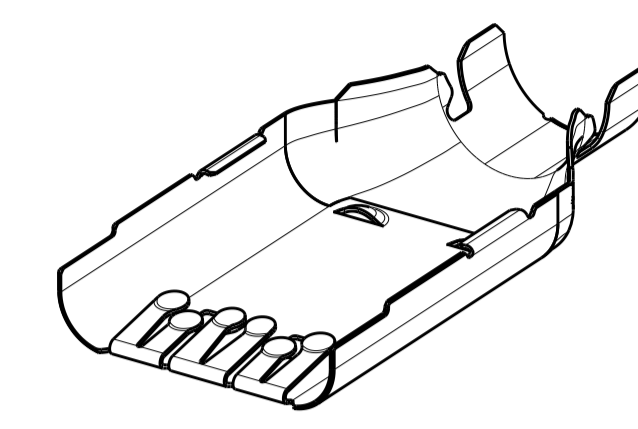
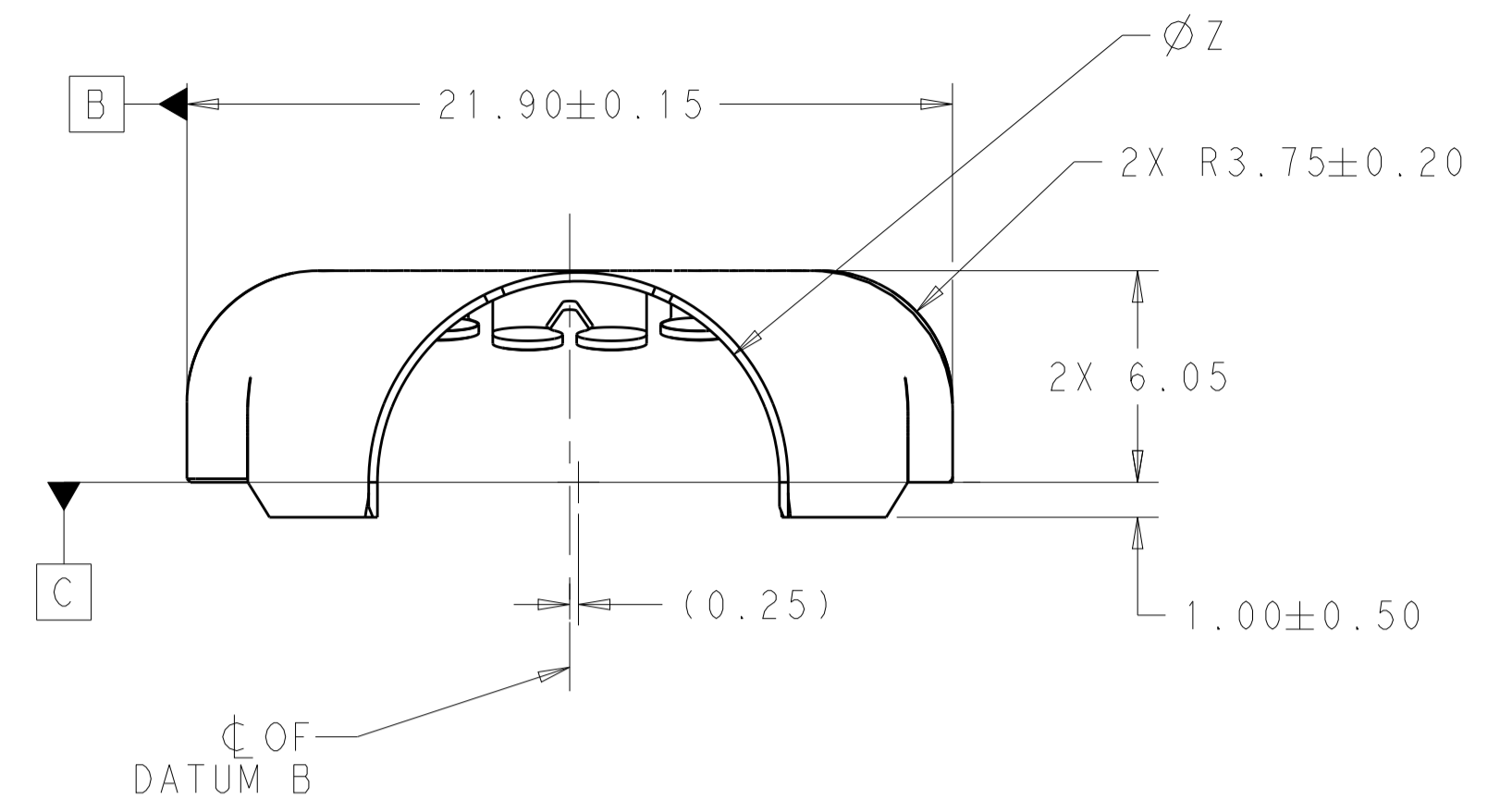
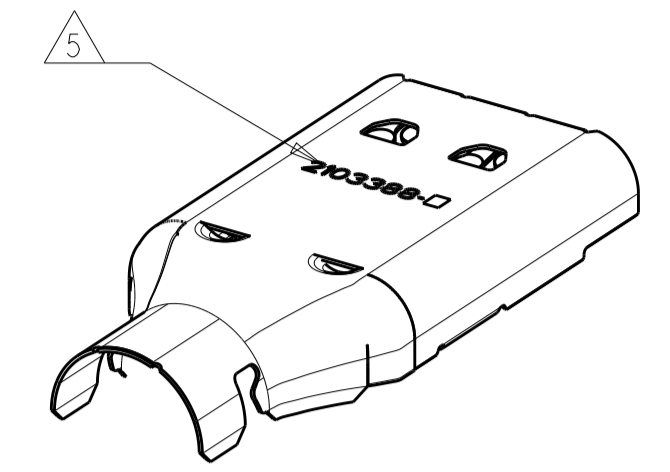


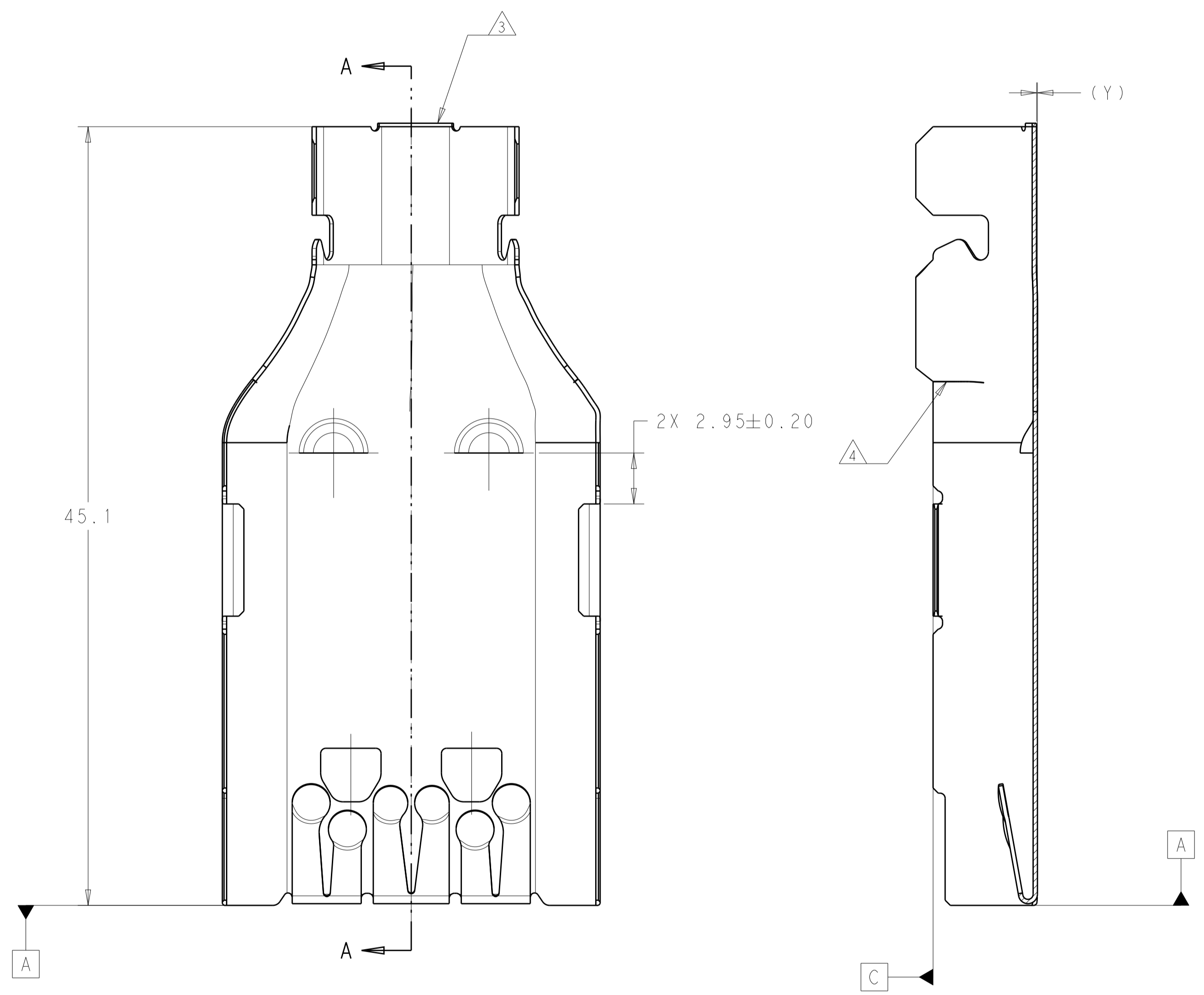
REVISIONS				
P.	LTN.	DESCRIPTION	DATE	APVD.
B		ECO-14-018782	15DEC2014	DR DR



SCALE 2:1



SCALE 2:1



SECTION A-A

- 1. MATERIAL TYPE: COPPER ALLOY
- 2. PART MUST BE FREE OF EXCESSIVE BURRS, CRACKS, OR OTHER VISUAL IMPERFECTIONS THAT MAY AFFECT FIT OR FUNCTION
- 3. 0.20 MAX CUT OFF TAB LENGTH
- 4. 2X BUTTED SEAM IN THIS AREA
- 5. TE PART NUMBER STAMPED IN THIS AREA
- 6. NOTE DELETED

0.55	10.50	2.88 g	SILVER	2103388-2
0.05	11.50	2.91 g	SILVER	2103388-1
Y	Z	WEIGHT	FINISH	PART NO

THIS DRAWING IS A CONTROLLED DOCUMENT.		DWN: D. RHEIN 06SEP2013 CHK: D. RHEIN 16SEP2013 APVD: A. GUANCO 16SEP2013	<b>STE</b> TE Connectivity	
DIMENSIONS: mm 0 PLC ±0.2 1 PLC ±0.2 2 PLC ±0.10 3 PLC ±0.05 4 PLC ±0.05 ANGLES ±1°	TOLERANCES UNLESS OTHERWISE SPECIFIED:	NAME: SHIELD, PLUG HVA280 PRODUCT SPEC: APPLICATION SPEC:	SIZE: CAGE CODE: DRAWING NO: WEIGHT: SEE TABLE A100779C=2103388 Customer Drawing	RESTRICTED TO:
MATERIAL: SEE TABLE		SCALE: 5:1 SHEET 1 OF 1 REV B		