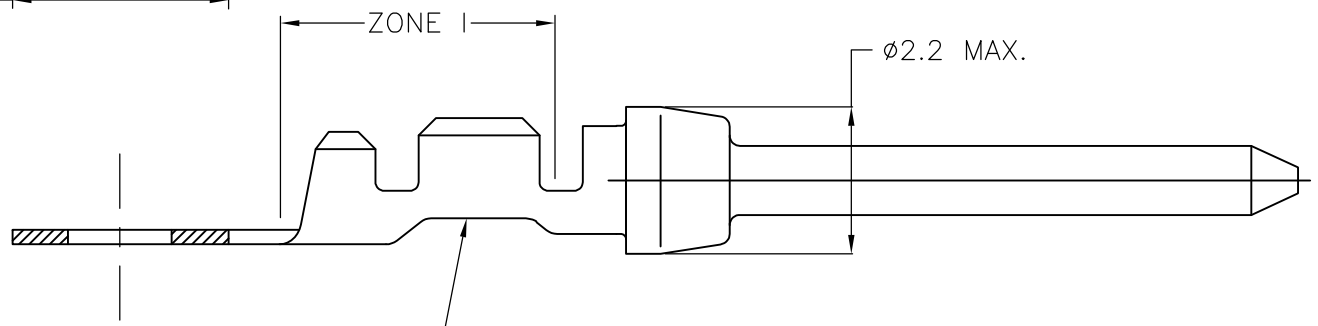
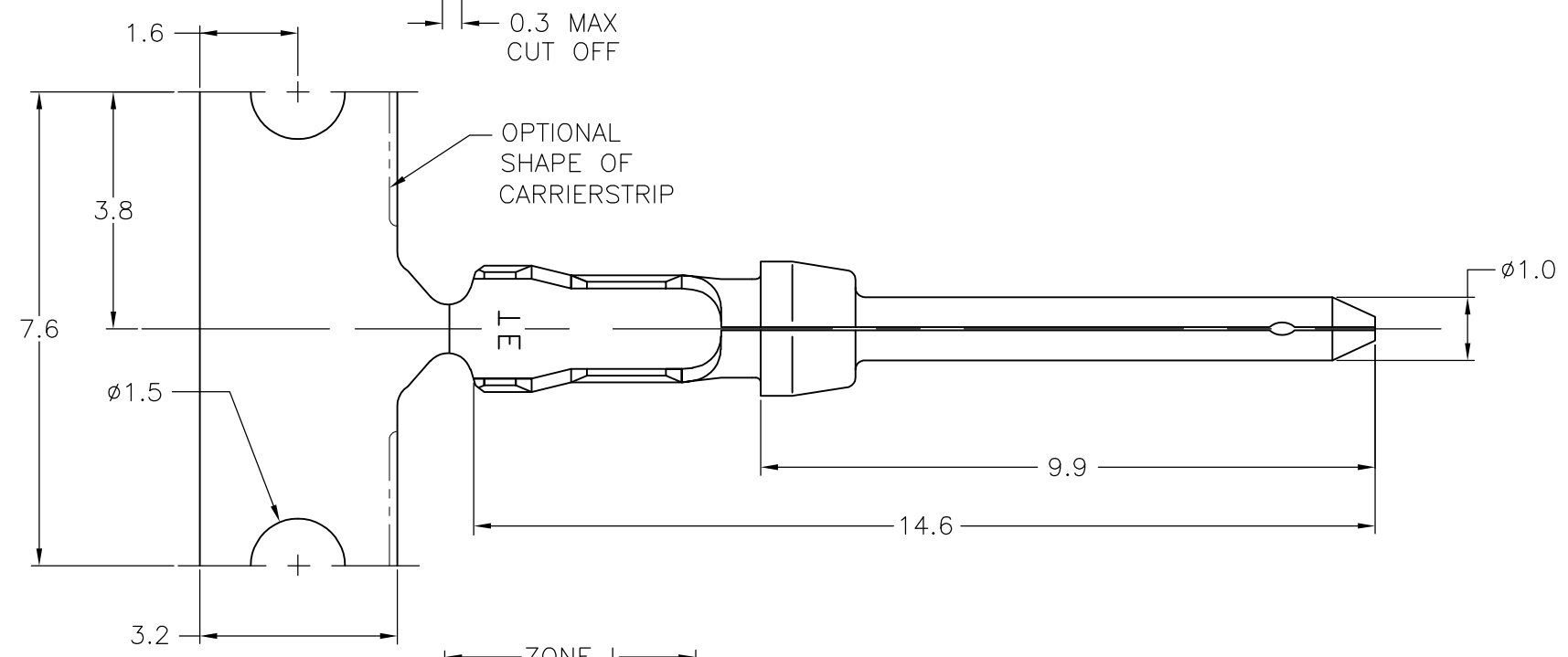
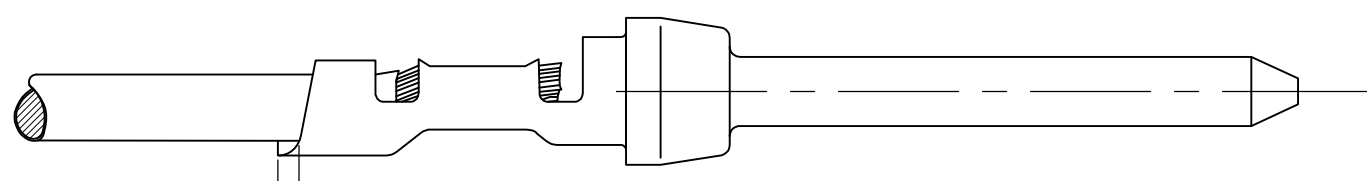
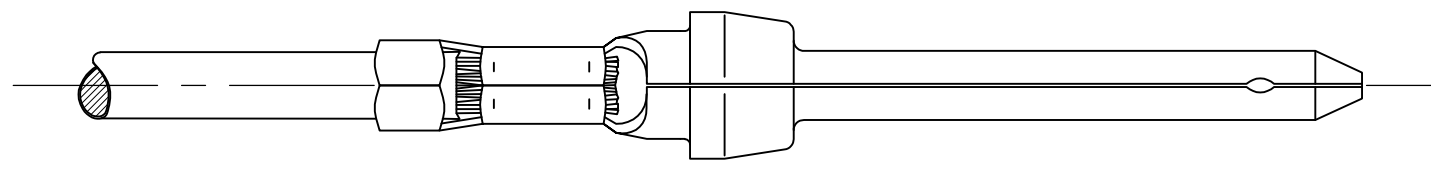


THIS DRAWING IS UNPUBLISHED. RELEASED FOR PUBLICATION
 © COPYRIGHT - By - ALL RIGHTS RESERVED.

LOC	DIST	REVISIONS					
GP	00	P	LTR	DESCRIPTION	DATE	DWN	APVD
			Z	REVISED PER ECO-11-020101	12APR2012	CJV	CWR



RED COLOR CODE
(LOOSE-PIECE ONLY)

- △1 FOR MINI-APPLICATOR-12500 PCS REEL.
- △2 FOR REEL-FEED HAND TOOLING-500 PCS REEL.
- △3 FOR HAND TOOLING- LOOSE PIECE.
- 4. MATERIAL: BRASS.
- △5 FINISH:
 - Ni UNDERPLATING ALL OVER.
 - CONTACT AREA PLATING MEETS IEC-807-3 PERFORMANCE LEVEL 2.
 - CRIMP ZONE Sn PLATED.

WIRE RANGE: 24-20 AWG(0,56-0,20mm²)
 INSUL. RANGE: 1,27 - 1,52 DIA.

△5	166293-1	5-166053-1	166053-1
FINISH	LOOSE PIECE △3	PART NUMBER △2	PART NUMBER △1

THIS DRAWING IS A CONTROLLED DOCUMENT.
 DIMENSIONING AND TOLERANCING PER ASME Y14.5M-2009

DIMENSIONS:	TOLERANCES UNLESS OTHERWISE SPECIFIED:
mm	
	0 PLC ± -
	1 PLC ± 0,127
	2 PLC ± -
	3 PLC ± -
	4 PLC ± -
	ANGLES ± -
MATERIAL	FINISH
-	-

DWN -	STE TE Connectivity		
CHK K. MALCZYK 09SEP08			
APVD T. DE BOER 09SEP08	NAME		
PRODUCT SPEC 108-40005	PIN CONTACT, SIZE 20 DF.		
APPLICATION SPEC 114-10000	SIZE	CAGE CODE	DRAWING NO
WEIGHT -	A3	00779	C-166053
CUSTOMER DRAWING		SCALE NTS	SHEET 1 OF 1
		REV Z	