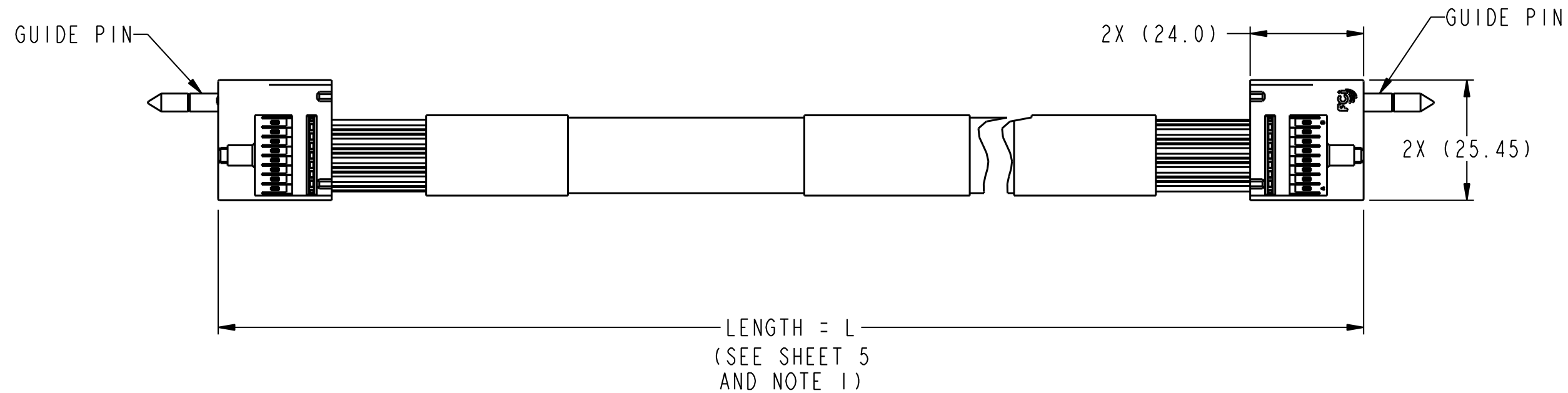
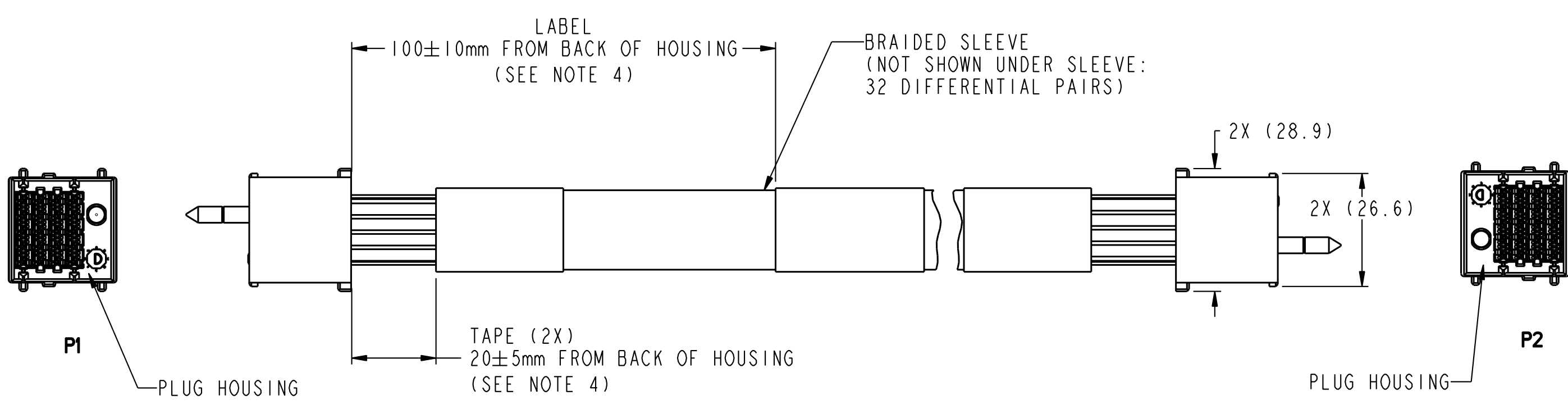


FCI PART NUMBER	DESCRIPTION
10126226-TXXXXYYLF	EXaMAX IO 2.0mm 4-PAIR 8-COLUMN SINGLE PAIR CABLE ASSEMBLY



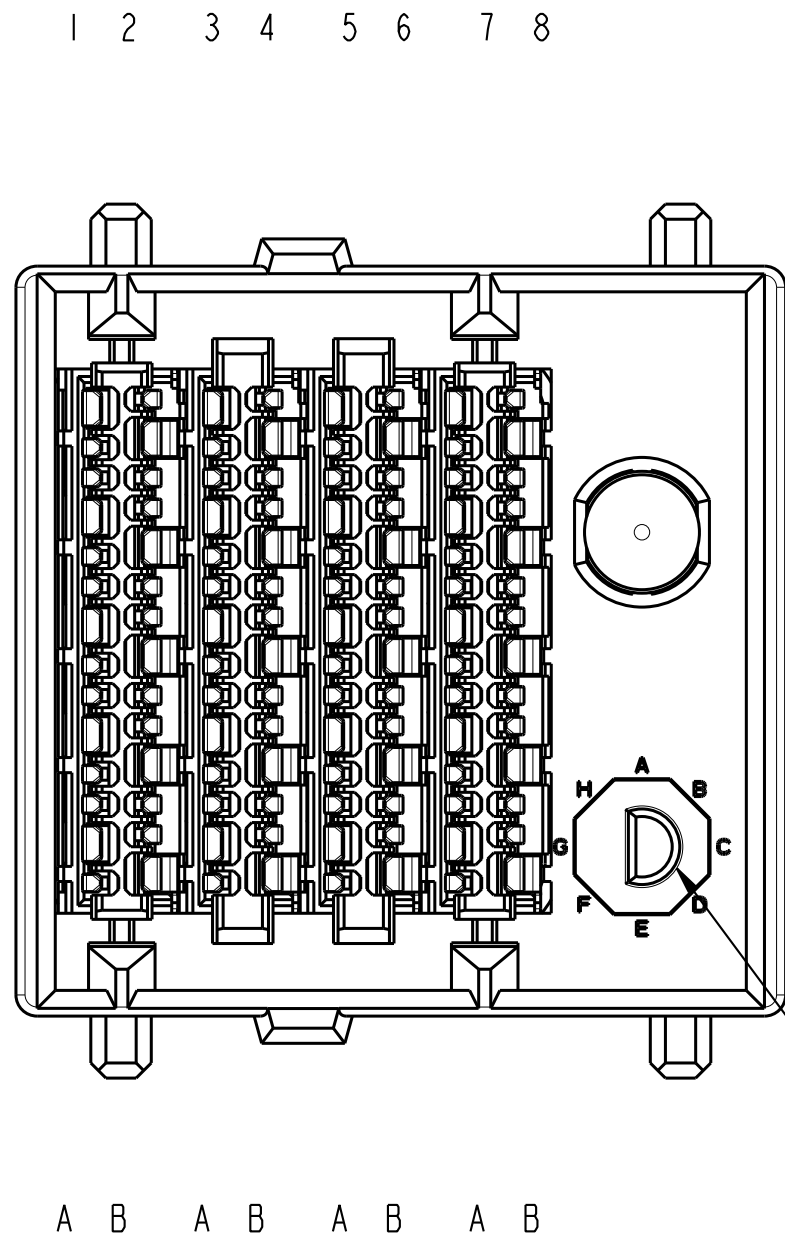
Copyright FCI.



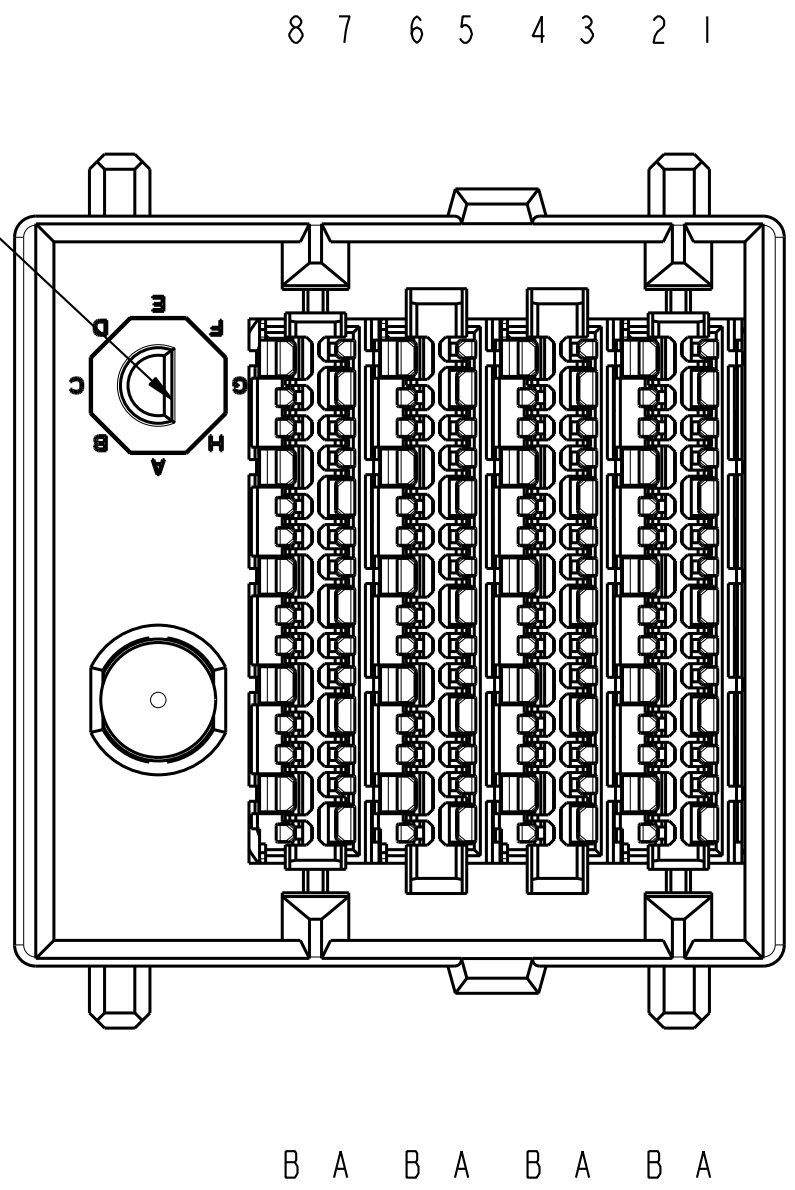
10126226-TXXXX2GLF AS SHOWN

spec ref	-	dr	J. WINEY	2014-09-19	projection	mm	size	A3	scale	1:1
tolerance std	ASME Y14.5	eng	K. WEBER	2014-09-19			ecn no		rel level	
TOLERANCES UNLESS OTHERWISE SPECIFIED		chr	K. WEBER	2014-09-19			-		In Work	
surface	✓	appr			product family	-	-		-	
	linear						<b>EXAMAX IO 2.0mm PITCH</b> PASSIVE LATCH BACK PLANE CABLE ASSY		dwg no 10126226	rev 7
	angular				www.fci.com	cat. no.	-	Product - Customer Drw		sheet 1 of 6

FCI PART NUMBER	DESCRIPTION
10126226-TXXXXYYLF	EXaMAX IO 2.0mm 4-PAIR 8-COLUMN SINGLE PAIR CABLE ASSEMBLY



P1  
SCALE 4:1



P2  
SCALE 4:1

10126226-TXXXX2GLF AS SHOWN

spec ref	-	dr	J. WINEY	2014-09-19	projection	mm	size	A3	scale	1:1																								
tolerance std	ASME Y14.5	eng	K. WEBER	2014-09-19			ecn no		rel level																									
TOLERANCES UNLESS OTHERWISE SPECIFIED		chr	K. WEBER	2014-09-19			-		In Work																									
surface	<table border="1"> <tr> <td>linear</td> <td>0.X</td> <td>±</td> </tr> <tr> <td></td> <td>0.XX</td> <td>±</td> </tr> <tr> <td></td> <td>0.XXX</td> <td>±</td> </tr> <tr> <td>angular</td> <td>0°</td> <td>±°</td> </tr> </table>	linear	0.X	±		0.XX	±		0.XXX	±	angular	0°	±°			<table border="1"> <tr> <td>title</td> <td>EXAMAX IO 2.0mm PITCH</td> <td>dwg no</td> <td>10126226</td> <td>rev</td> <td>7</td> </tr> <tr> <td></td> <td>PASSIVE LATCH BACK PLANE CABLE ASSY</td> <td></td> <td></td> <td></td> <td></td> </tr> </table>	title	EXAMAX IO 2.0mm PITCH	dwg no	10126226	rev	7		PASSIVE LATCH BACK PLANE CABLE ASSY					<table border="1"> <tr> <td>cat. no.</td> <td>-</td> <td>Product - Customer Drw</td> <td>sheet 2 of 6</td> </tr> </table>		cat. no.	-	Product - Customer Drw	sheet 2 of 6
linear	0.X	±																																
	0.XX	±																																
	0.XXX	±																																
angular	0°	±°																																
title	EXAMAX IO 2.0mm PITCH	dwg no	10126226	rev	7																													
	PASSIVE LATCH BACK PLANE CABLE ASSY																																	
cat. no.	-	Product - Customer Drw	sheet 2 of 6																															



Copyright FCI.

FCI PART NUMBER	DESCRIPTION
10126226-TXXXXYYLF	EXaMAX IO 2.0mm 4-PAIR 8-COLUMN SINGLE PAIR CABLE ASSEMBLY

### PIN-OUT CONFIGURATION (P1 & P2)

1	2	3	4	5	6	7	8	
GND	LS2	GND	LS4	GND	LS6	GND	LS8	N
TX1+	GND	TX5+	GND	TX9+	GND	TX13+	GND	M
TX1-	TX3+	TX5-	TX7+	TX9-	TX11+	TX13-	TX15+	L
GND	TX3-	GND	TX7-	GND	TX11-	GND	TX15-	K
TX2+	GND	TX6+	GND	TX10+	GND	TX14+	GND	J
TX2-	TX4+	TX6-	TX8+	TX10-	TX12+	TX14-	TX16+	I
GND	TX4-	GND	TX8-	GND	TX12-	GND	TX16-	H
RX2-	GND	RX6-	GND	RX10-	GND	RX14-	GND	G
RX2+	RX4-	RX6+	RX8-	RX10+	RX12-	RX14+	RX16-	F
GND	RX4+	GND	RX8+	GND	RX12+	GND	RX16+	E
RX1-	GND	RX5-	GND	RX9-	GND	RX13-	GND	D
RX1+	RX3-	RX5+	RX7-	RX9+	RX11-	RX13+	RX15-	C
GND	RX3+	GND	RX7+	GND	RX11+	GND	RX15+	B
LS1	GND	LS3	GND	LS5	GND	LS7	GND	A
A	B	A	B	A	B	A	B	

spec ref -		dr J. WINEY	2014-09-19	projection	mm ↔	size A3	scale 1:1					
tolerance std	TOLERANCES UNLESS OTHERWISE SPECIFIED	eng K. WEBER	2014-09-19			ecn no	rel level	In Work				
ASME Y14.5		chr K. WEBER	2014-09-19		product family -							
surface <input checked="" type="checkbox"/>		linear	0.X ±		EXAMAX IO 2.0mm PITCH	dwg no	10126226	rev				
		0.XX ±	www.fci.com						PASSIVE LATCH BACK PLANE CABLE ASSY	cat. no.	Product - Customer Drw	7
	angular	0° ±°										



Copyright FCI.

A

A

IMLA WIRING LIST		
P1 END		P2 END
IMLA COLUMN		IMLA COLUMN
1		1
2		2
3		3
4		4
5		5
6		6
7		7
8		8

B

B

DETAILED WIRING LIST for COLUMN 1 (A IMLA) (SEE NOTE 16)				
P1 END			P2 END	
POSITION	SYMBOL		POSITION	SYMBOL
NI	GND	-----	BI	GND
MI	TX1+		CI	RX1+
LI	TX1-		DI	RX1-
KI	GND	-----	EI	GND
JI	TX2+		FI	RX2+
II	TX2-		GI	RX2-
HI	GND	-----	HI	GND
GI	RX2-		II	TX2-
FI	RX2+		JI	TX2+
EI	GND	-----	KI	GND
DI	RX1-		LI	TX1-
CI	RX1+		MI	TX1+
BI	GND	-----	NI	GND
AI	LS1	=====	AI	LS1

DETAILED WIRING LIST for COLUMN 2 (B IMLA) (SEE NOTE 16)				
P1 END			P2 END	
POSITION	SYMBOL		POSITION	SYMBOL
N2	LS2	=====	N2	LS2
M2	GND	-----	A2	GND
L2	TX3+		B2	RX3+
K2	TX3-		C2	RX3-
J2	GND	-----	D2	GND
I2	TX4+		E2	RX4+
H2	TX4-		F2	RX4-
G2	GND	-----	G2	GND
F2	RX4-		H2	TX4-
E2	RX4+		I2	TX4+
D2	GND	-----	J2	GND
C2	RX3-		K2	TX3-
B2	RX3+		L2	TX3+
A2	GND	-----	M2	GND

C

C

D

D

spec ref	-	dr	J. WINEY	2014-09-19	projection		size	A3	scale	1:1	
tolerance std	ASME Y14.5	eng	K. WEBER	2014-09-19	mm		ecn no				
	TOLERANCES UNLESS OTHERWISE SPECIFIED	chr	K. WEBER	2014-09-19	product family	-	rel level	In Work			
surface		appr									
	linear					title	EXAMAX 10 2.0mm PITCH	dwg no	10126226	rev	7
	angular				www.fci.com	cat. no.	-	Product - Customer Drw	sheet 4 of 6		



Copyright FCI.

10126226-TXXXXYYLF

CABLE IDENTIFICATION INFORMATION		
"T"	WIRE SIZE	DESCRIPTION
A	30 AWG	30AWG, HIGH SPEED SINGLE PAIR, CABLE
B	26 AWG	26AWG, HIGH SPEED SINGLE PAIR, CABLE

30AWG PART NUMBERS		
LENGTH (DIM "L") = METERS		
CABLE ASSEMBLY PART NUMBER	=	METER(S)
10126226-A0050YYLF	=	0.50
10126226-A0100YYLF	=	1.00
10126226-A0150YYLF	=	1.50
10126226-A0200YYLF	=	2.00
10126226-A0250YYLF	=	2.50
10126226-A0300YYLF	=	3.00
10126226-A0350YYLF	=	3.50
10126226-A0400YYLF	=	4.00
10126226-A0450YYLF	=	4.50
10126226-A0500YYLF	=	5.00
10126226-A0550YYLF	=	5.50
10126226-A0600YYLF	=	6.00

26AWG PART NUMBERS		
LENGTH (DIM "L") = METERS		
CABLE ASSEMBLY PART NUMBER	=	METER(S)
10126226-B0050YYLF	=	0.50
10126226-B0100YYLF	=	1.00
10126226-B0150YYLF	=	1.50
10126226-B0200YYLF	=	2.00
10126226-B0250YYLF	=	2.50
10126226-B0300YYLF	=	3.00
10126226-B0350YYLF	=	3.50
10126226-B0400YYLF	=	4.00
10126226-B0450YYLF	=	4.50
10126226-B0500YYLF	=	5.00
10126226-B0550YYLF	=	5.50
10126226-B0600YYLF	=	6.00

MODULE DESCRIPTION	DESIGNATION REPRESENTED IN DASH NUMBER									
W/O END GUIDE MODULE	<b>01</b>									
RIGHT GUIDANCE MODULE	<b>1A</b>	<b>1B</b>	<b>1C</b>	<b>1D</b>	<b>1E</b>	<b>1F</b>	<b>1G</b>	<b>1H</b>	<b>1J (NO KEY)</b>	
LEFT GUIDANCE MODULE	<b>2A</b>	<b>2B</b>	<b>2C</b>	<b>2D</b>	<b>2E</b>	<b>2F</b>	<b>2G</b>	<b>2H</b>	<b>2J (NO KEY)</b>	

spec ref	-	dr	J. WINEY	2014-09-19	projection		size	A3	scale	1:1
tolerance std	ASME Y14.5	eng	K. WEBER	2014-09-19	product family	-	ecn no	rel level	In Work	rev
TOLERANCES UNLESS OTHERWISE SPECIFIED		chr	K. WEBER	2014-09-19						
surface	✓	appr			EXAMAX IO 2.0mm PITCH		10126226		7	
	linear	0.X	±		PASSIVE LATCH BACK PLANE CABLE ASSY		cat. no.		Product - Customer Drw	
		0.XX	±		www.fci.com		sheet 5 of 6			
		0.XXX	±							
	angular	0°	±°							



FCI PART NUMBER	DESCRIPTION
10126226-TXXXXYYLF	EXAMAX IO 2.0mm 4-PAIR 8-COLUMN SINGLE PAIR CABLE ASSEMBLY

NOTES:

- ASSEMBLED LENGTH TOLERANCE:  $\pm 2\%$  OF LENGTH
- CONNECTOR MATERIALS:  
HOUSING: HIGH TEMP THERMOPLASTIC, BLACK, UL94-V0  
CONTACT: COPPER ALLOY  
RETENTION BAR: HIGH TEMP THERMOPLASTIC, BLACK, UL94-V0  
PLASTIC WOVEN BRAID: PET  
TAPE: TBD  
LABEL: TBD
- CONTACT PLATING:  
SEPARABLE INTERFACE:  
PERFORMANCE-BASED PLATING, QUALIFIED TO MEET THE REQUIREMENTS OF FCI PRODUCT SPECIFICATION GS-12-1096 INCLUDING TELCORDIA GR-1217-CORE (NOVEMBER 1995) CENTRAL OFFICE TEST SEQUENCE
- LABEL DETAILS:  
MANUFACTURE CODE OR NAME  
FCI PART NUMBER - REVISION  
DATA CODE (YYYY/MM/DD FORMAT) - SERIAL #  
COUNTRY OF ORIGIN  
  
FONT SHALL BE CLEARLY VISIBLE AND BLACK IN COLOR
- CABLE PACKAGING PER FCI GLOBAL STANDARD: GS-14-1272
- PACKAGING MEETS GS-14-920 LEAD FREE LABELING SPECIFICATION
- LEAD FREE PRODUCTS MEET EUROPEAN UNION DIRECTIVES AND OTHER COUNTRY REGULATIONS AS DESCRIBED IN GS-47-0004
- REFERENCE APPLICATION SPEC: GS-20-0412
- ALL CABLE ASSEMBLIES SHALL BE TESTED 100% FOR CONTINUITY AS DEFINED IN WIRING LIST
- UNLESS OTHERWISE SPECIFIED ALL CABLE ASSEMBLIES SHALL BE 100% HI-POT TESTED BY APPLYING 300V DC FOR MINIMUM OF 10ms, UNLESS ACTIVE COMPONENTS ARE USED IN THE ASSEMBLY
- A " $\triangle$ " SYMBOL WILL BE NEXT TO ANY DIMENSION, VIEW, OR NOTE WHICH HAS BEEN MODIFIED WITH THE CURRENT DRAWING REVISION. THE CURRENT REVISION WILL BE SHOWN IN THE SYMBOL
- MATING BOARD CONNECTOR P/N: 10121056-12JLF
- UNLESS OTHERWISE SPECIFIED, KEY/KEY BUSHING IS NOT INCLUDED
- CONNECTOR ASSEMBLIES SHOWN ARE FOR REFERENCE ONLY AND MAY NOT SHOW ALL PART DETAIL. REFERENCE CONNECTOR ASSEMBLY DRAWINGS FOR COMPLETE DETAILS
- FINISHED ASSEMBLY SHALL BE IN A SUITABLY SIZED POLY BAG OR EQUIVALENT
- WIRING LIST IS SHOWN FOR COLUMNS 1 AND 2. ALL OTHER COLUMNS FOLLOW THE SAME PATTERN AS SHOWN IN THE IMLA WIRING LIST
- APPLICABLE PANEL MOUNTING BRACKET PART NUMBERS:  
SINGLE PORT: 10127037-101  
DUAL PORT: 10127037-102  
FOUR PORT: 10127037-104

spec ref	-	dr	J. WINEY	2014-09-19	projection		size	A3	scale	3:10
tolerance std	ASME Y14.5	eng	K. WEBER	2014-09-19			ecn no			
	TOLERANCES UNLESS OTHERWISE SPECIFIED	chr	K. WEBER	2014-09-19			rel level	In Work		
surface		appr			product family	-				
	linear					EXAMAX IO 2.0mm PITCH	dwg no	10126226	rev	7
	angular				www.fci.com	PASSIVE LATCH BACK PLANE CABLE ASSY				
					cat. no.	-	Product - Customer Drw		sheet 6 of 6	



Copyright FCI.