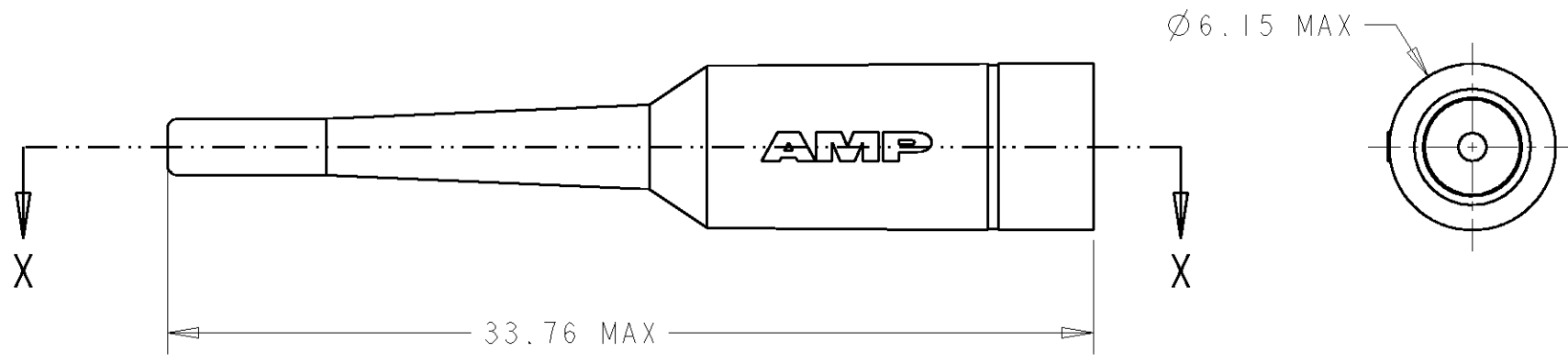
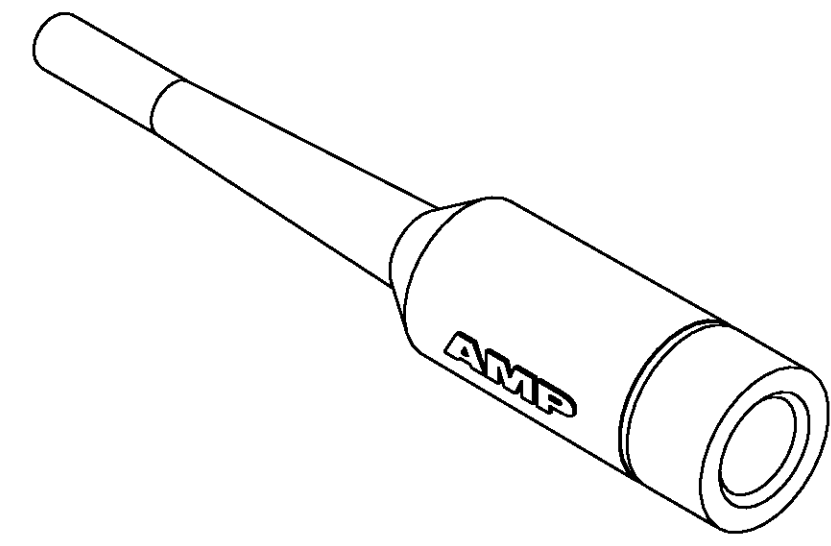
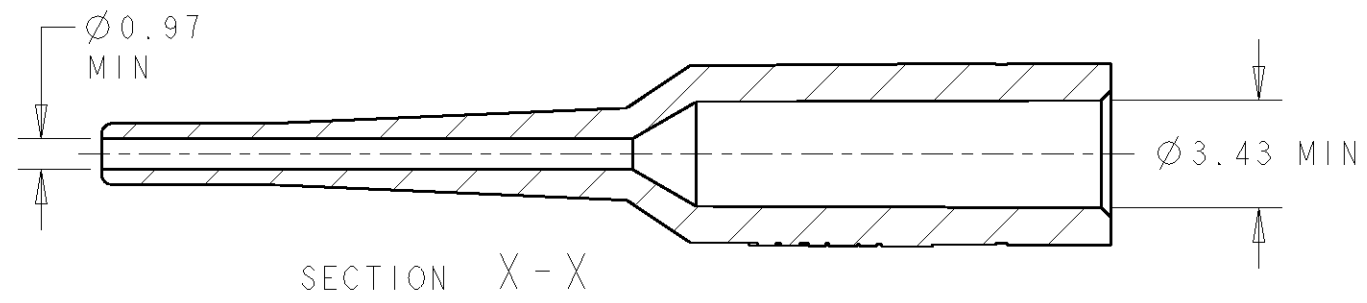


LOC	DIST	REVISIONS			
P	LTR	DESCRIPTION	DATE	DWN	APVD
CE	00	B	REV PER 0A00-0196-05	11MAY2005	EJH SB



RED	2-5503628-3
BLUE	5503628-8
BLACK	5503628-1
COLOR	PART NUMBER

⚠ MATERIAL: TPE, UL94 V-0 RATED AT QUALIFYING THICKNESS. SEE DASH NUMBER FOR COLORS.

<small>THIS DRAWING IS A CONTROLLED DOCUMENT FOR TYCO ELECTRONICS CORPORATION. IT IS SUBJECT TO CHANGE AND THE CONTROLLING ENGINEERING ORGANIZATION SHOULD BE CONTACTED FOR THE LATEST REVISION.</small>		DWN E. HOPKINS 27JAN2005 CHR D. ERDMAN 27JAN2005 APVD B. EDWARDS 27JAN2005	<b>AMP</b> Tyco Electronics Harrisburg, PA 17105-3608	
DIMENSIONS: mm	TOLERANCES UNLESS OTHERWISE SPECIFIED: 0 PLC ±- 1 PLC ±- 2 PLC ±- 3 PLC ±- 4 PLC ±- ANGLES ±-	PRODUCT SPEC - APPLICATION SPEC - WEIGHT -	NAME BOOT, BARE BUFFER	
MATERIAL ⚠ -	FINISH -	CUSTOMER DRAWING	SIZE A3 CAGE CODE 00779 DRAWING NO C-5503628	RESTRICTED TO -
SCALE 4:1 SHEET 1 OF 1 REV B			RESTRICTED TO -	