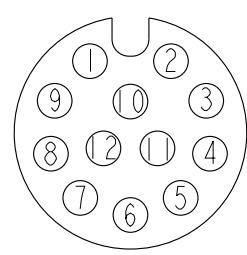
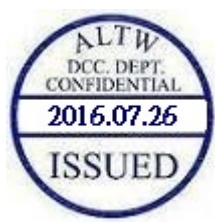
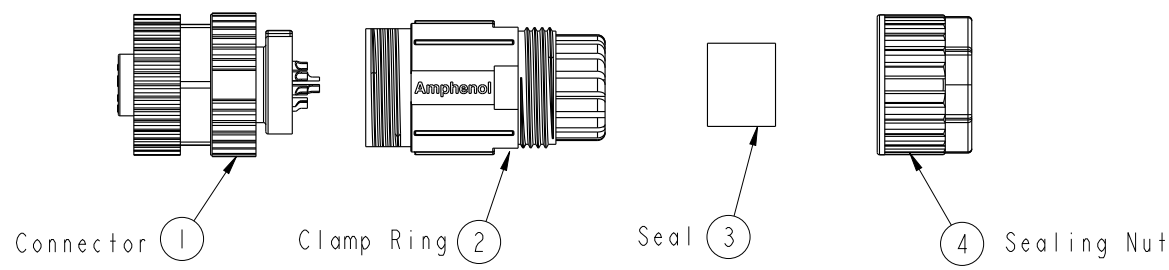
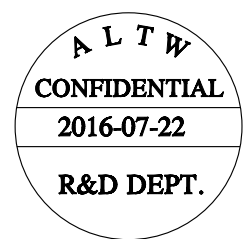
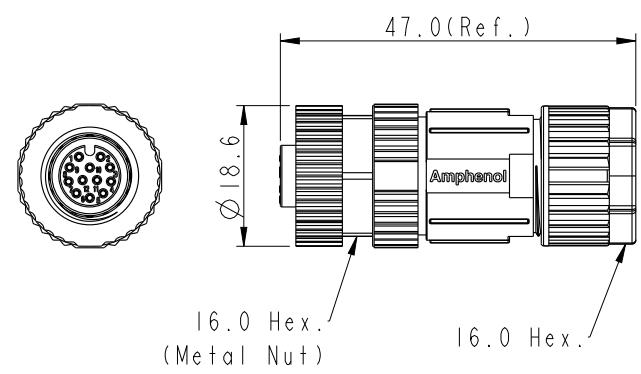


THIS DOCUMENT IS SUBJECT TO CHANGE WITHOUT NOTICE. IT IS CONFIDENTIAL AND A PROPERTY OF AMPHENOL LTW. DISCLOSURE TO THIRD PARTY HAS TO BE AUTHORIZED BY AMPHENOL LTW.

REV.	ECN NO.	DATE	SIGN	DESCRIPTION
A	Initial Release	2015/05/07	Lu Di	Change Rev.01 To Rev.A
B	LEN1670554	2016/07/22	Yulong_wang	Change the Note.



Pin Assignments
Front View



- Note:
- * (Circled 1) Important Dimension To Check.
 - * Waterproof Rate: IP67.
 - * Housing: Nylon, Black.
 - * Female Pin: Copper Alloy, Gold Plated.
 - * Nut: PBT+PC, Black.
 - * Female Nut: Zinc Alloy, Nickel Plated.
 - * O-Ring: Silicone, Grey.
 - * Clamp Ring: Nylon, Black.
 - * Sealing Nut: PBT+PC, Black.
 - * Seal: Silicone, Grey.
 - * Seal For Cable OD: $\varnothing 4.0\text{mm} \sim \varnothing 8.0\text{mm}$
 - * Applicable Wire gauge (Stranded wire cross section) 26AWG ~ 24AWG
 - * Mating Recommended tightening torque: 3~4 kgf.cm / 0.29~0.39 N.m
 - * Sealing-Nut Recommended tightening torque: 4~6 kgf.cm / 0.39~0.59 N.m
 - * Detailed applicable wire specifications may vary depending on the actual wire construction.

UNIT: mm		TITLE		ITEM NO.		DRAWN BY		DATE	
		M12 Unshielded Assy 12Pin F Conn. F Pin		M12A-12BFFA-SL7001		Yulong_wang		2016-07-22	
TOLERANCE		SCALE	SIZE	SHEET	DWG NO.	CHECKED BY	DATE		
.X ±0.25		1:1	A4	1 OF 1	M12A-12BFFA-SL7001	Jinhai	2016-07-22		
.XX ±0.1		REV.	WC-REV.		CUSTOMER	APPROVED BY	DATE		
.XXX ±0.05		B	A.2		ALTW	Jerry	2016-07-22		
ANGLES ±1°		(Circled 1): Inspection item		Amphenol LTW 安費諾亮泰企業股份有限公司					