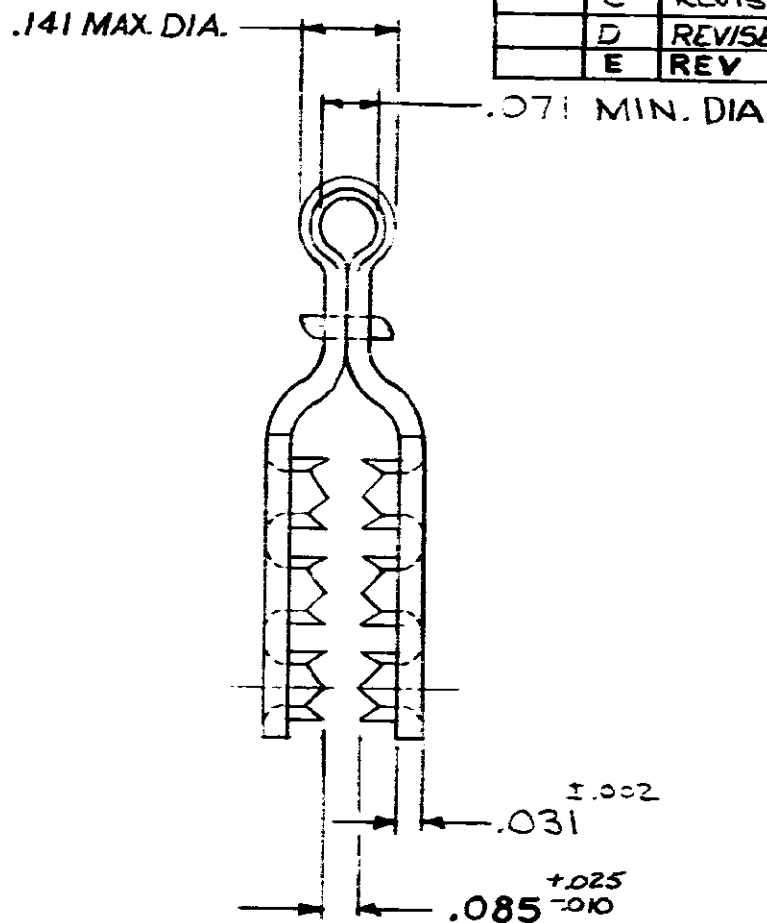
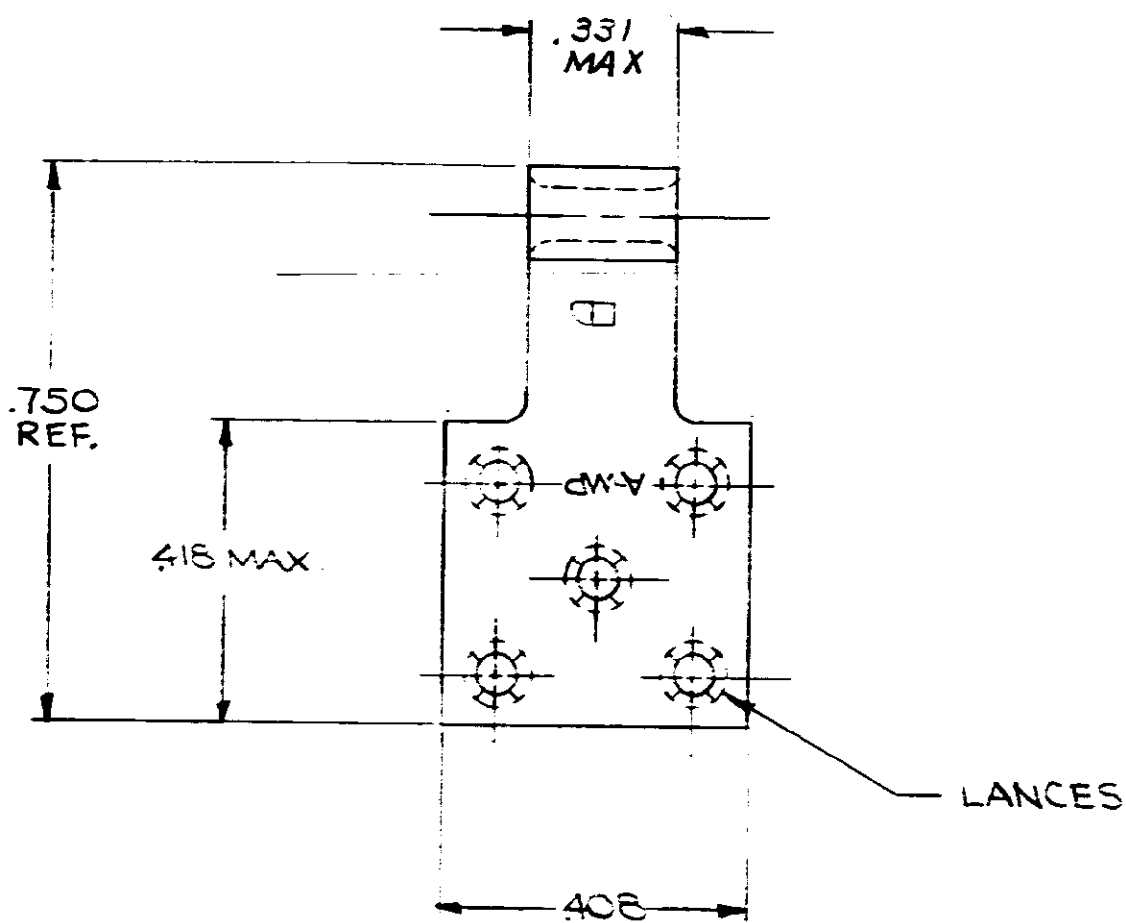


DRAWING MADE IN AMERICAN PROJECTION

© 1970 BY AMP INCORPORATED. ALL RIGHTS RESERVED. AMP PRODUCTS COVERED BY PATENTS AND/OR PATENTS PENDING.

REVISIONS				
ZONE	LTR	DESCRIPTION	DATE	APPROVED
	O	NPS 70-0606 (REV 2)	12-30-70	FCY
	A	REVISED TO AGREE WITH PROD. DWG	1-21-71	FCY
	B	REV PER ECN P-6553	3-23-71	FCY
	C	REVISED F-554	5-12-71	FCY
	D	REVISED P-6602	6-23-71	FCY
	E	REV U-1790	5-28-72	JW



UNLESS OTHERWISE SPECIFIED DIMENSIONS ARE IN INCHES TOLERANCES ON: DECIMALS ±.008 ANGLES ± 5°	CONTRACT NO. <i>12-24-70</i>	<b>AMP</b> AMP INCORPORATED HARRISBURG, PENNSYLVANIA
	DR. <i>Am Enclosure</i>	
MATERIAL COPPER (QQ-C-576) TIN PLATE (MIL-T-10727)	CHK. <i>F.C. [Signature]</i>	SIZE <b>B</b>
	APPD. <i>Swabel</i>	CODE IDENT NO. <b>00779</b>
	REL. <i>H. Davis</i>	NUMBER <b>52584</b>
	DSGN APPD. <i>[Signature]</i>	SCALE <b>4-1</b>
	OTHER APPD.	SHEET <b>1 OF 1</b>